

APP10L NHO

Applause Hydraulic Glass Hinge Glass to Wall - L Shaped

Technical Details

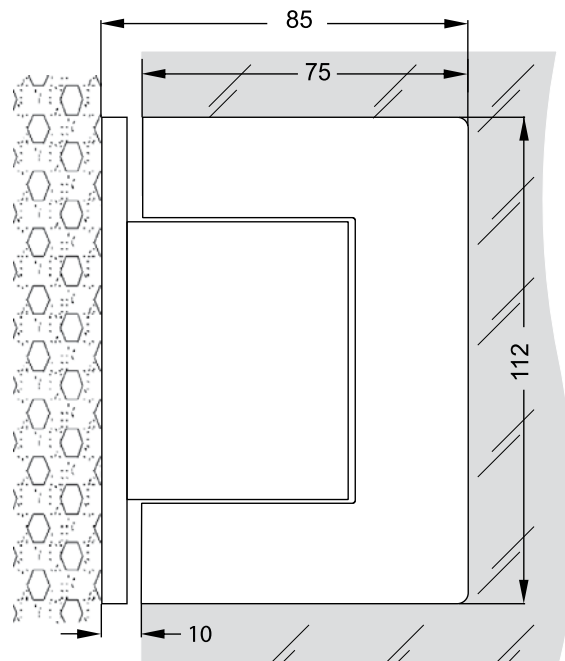
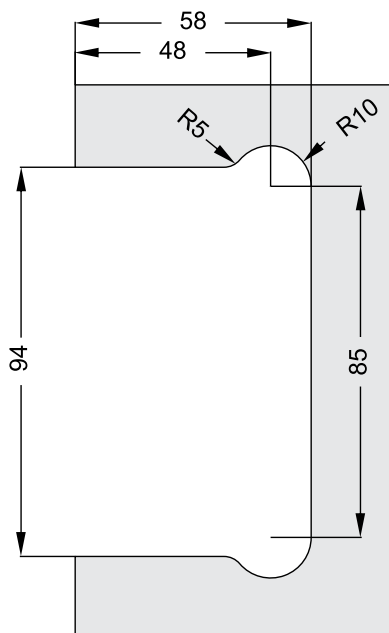
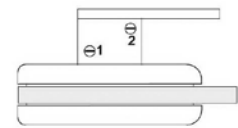
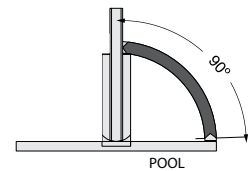
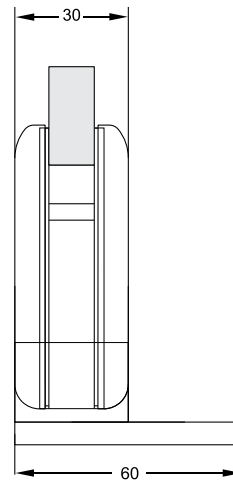
- Manufactured in 316 Stainless Steel
- Suitable for 10mm and 12mm glass
- Maximum door width is 900mm
- Maximum door weight = 65kg
- Maximum door open angle = 90°
- Variable closing speed, by valve adjustment
- Single action
- Non-handed
- 112mm x 85mm x 60mm
- Tested according to EN1154
Fully tested and certified to AS1926.1-2007 and AS2820-1993/2000

Available Finishes

- Polished
- Brushed Satin

Specify at time of order

- Finish required



APP20 NHO

Applause Hydraulic Glass Hinge T-Shaped Backing Plate

Technical Details

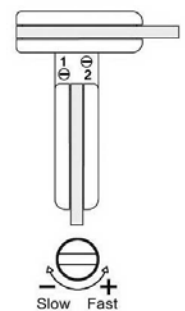
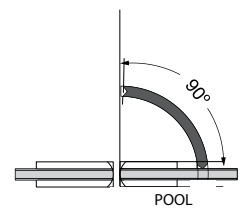
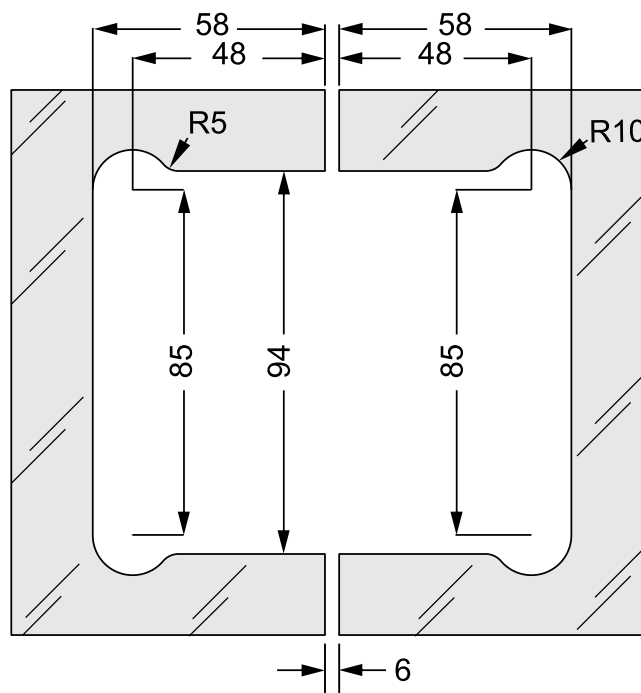
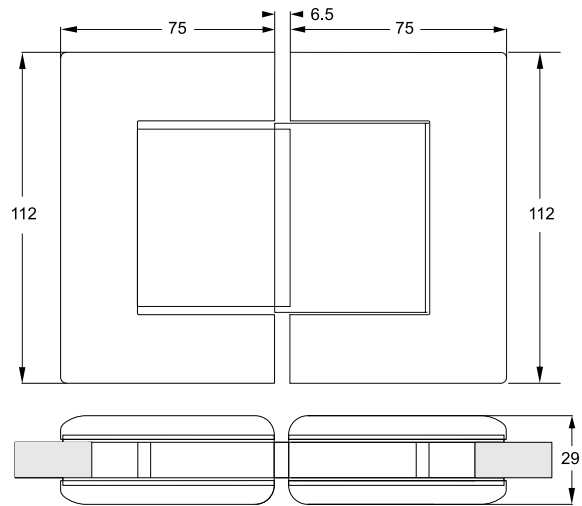
- Manufactured in 316 Stainless Steel
- Suitable for 10mm and 12mm glass
- Maximum door width is 900mm
- Maximum door weight = 65kg
- Maximum door open angle = 90°
- Variable closing speed, by valve adjustment
- Single action
- Non-handed
- 112mm x 155mm x 29mm
- Tested according to EN1154
Fully tested and certified to AS1926.1-2007 and AS2820-1993/2000

Available Finishes

- Polished
- Brushed Satin

Specify at time of order

- Finish required



APP10 NHO

Applause Hydraulic Glass Hinge Glass to Glass - T Shaped

Technical Details

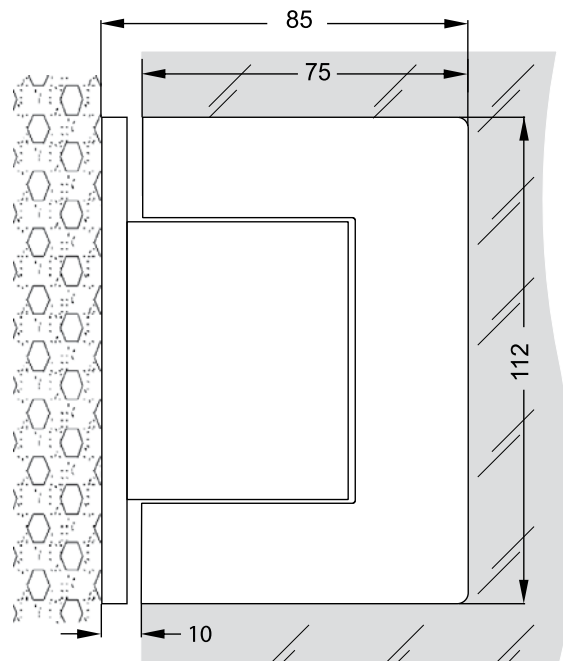
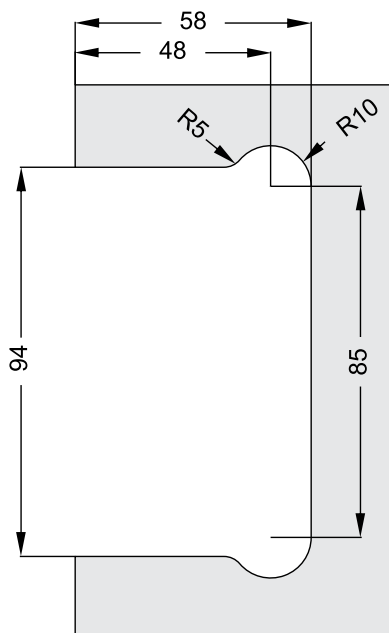
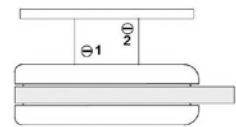
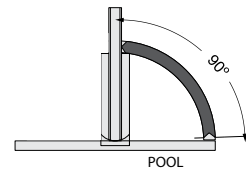
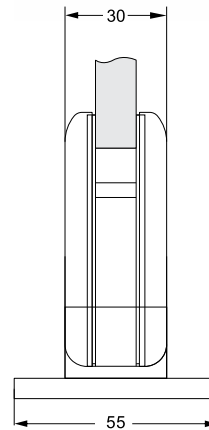
- Manufactured in 316 Stainless Steel
- Suitable for 10mm and 12mm glass
- Maximum door width is 900mm
- Maximum door weight = 65kg
- Maximum door open angle = 90°
- Variable closing speed, by valve adjustment
- Single action
- Non-handed
- 112mm x 85mm x 55mm
- Tested according to EN1154
Fully tested and certified to AS1926.1-2007 and AS2820-1993/2000

Available Finishes

- Polished
- Brushed Satin

Specify at time of order

- Finish required



FS520 IS NHO

Light Duty (16Nm) Floorspring With Interchangeable Spindle

Technical Details

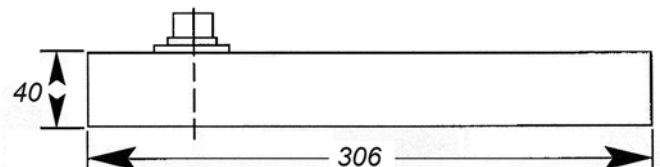
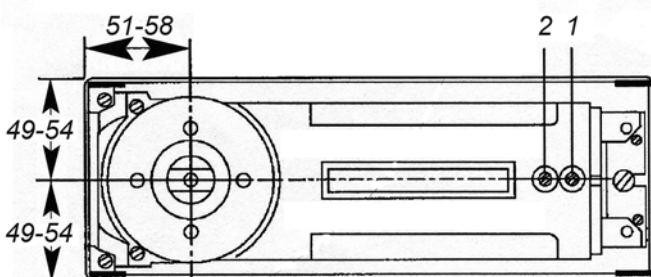
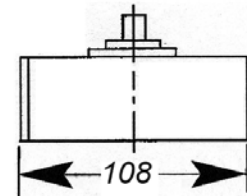
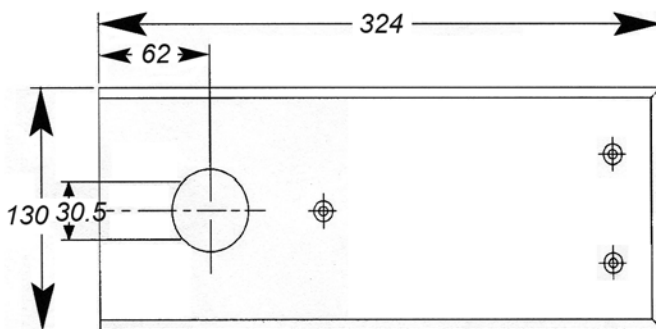
- Comes with standard spindle
- 5, 10, 15, 20 and 25mm interchangeable extended spindles available
- Maximum internal door width = 1100mm
- Maximum external door width = 1000mm
- Maximum door weight = 70kgs
- 16Nm spring strength
- Non hold open (NHO)
- Adjustment in cement box
Length = 7mm
Width = 10mm
Height = 4mm
- Stainless steel cement box
(Code Z-FS-004)
- In areas where water is present or likely, suitable sealing of the floor spring is required to prevent water from entering the cement box. Refer to page B4 for further details

Available Cover Finishes

- Satin stainless steel
- Polished stainless steel
- Titanium gold

Specify at time of order

- Cover finish



FS-Resin

Two Part Floor Spring Sealing Compound

Technical Details

- Used to prevent the likelihood of water entering the cement box.
- The two component resin is poured around the body of the closer in the cement box to improve waterproofing.
- Carefully read instructions supplied on the bottles



PL1

Glass To Post Pool Gate Latch & Keeper

Technical Details

- Used on pool gates where the gate closes to a post
- Comes with stainless steel stop to ensure gate is single action
- Designed for 12mm glass
- Can be adapted to suit 8, 10 & 15mm glass
- Lockable option available
- Refer to AS 1926.1-2007 for correct placement on gate

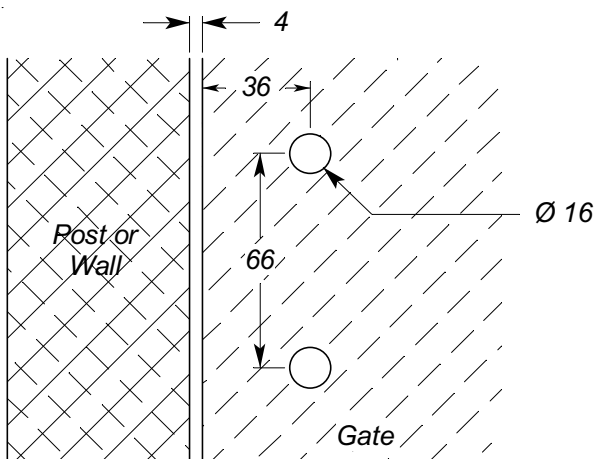
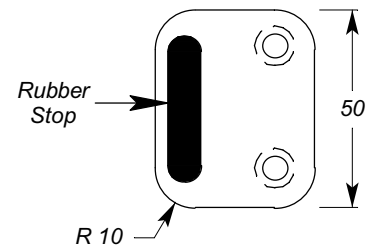
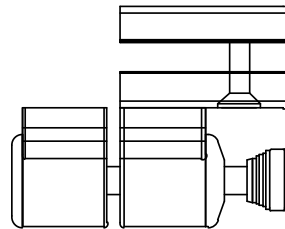
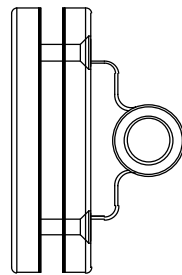
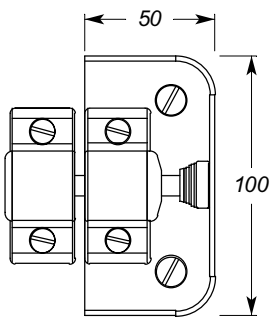
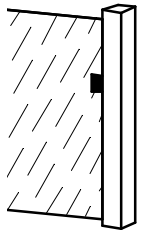
Note: Latch and stops can be custom made to any specification. Please contact Sales Support for further assistance

Available Finishes

- 316 satin stainless steel
- 316 polished stainless steel
- Other finishes are available to order

Specify at time of order

- Required finish
- 8,10, 12 or 15mm glass
- Order PL1 SL for Stainless Steel Thumb Pull
- Order PL1 LOCK for Lockable Option



Also available



All PL latches available with stainless steel magnetic thumb pull device.

PL1 RP

Glass To Post Pool Gate Latch & Keeper

Technical Details

- Used on pool gates where the gate closes to a post
- Comes with stainless steel stop to ensure gate is single action
- Designed for 12mm glass
- Can be adapted to suit 8, 10 & 15mm glass
- Lockable option available
- Refer to AS 1926.1-2007 for correct placement on gate

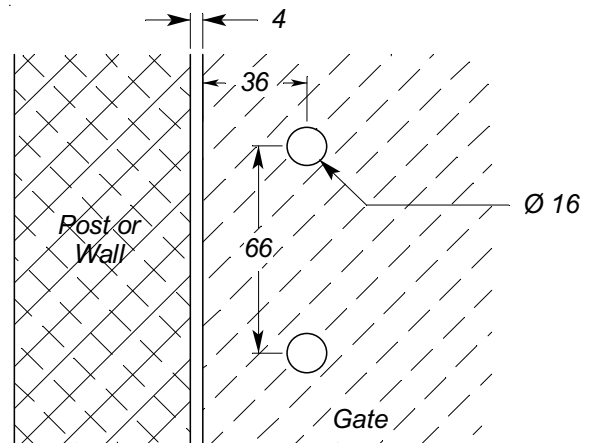
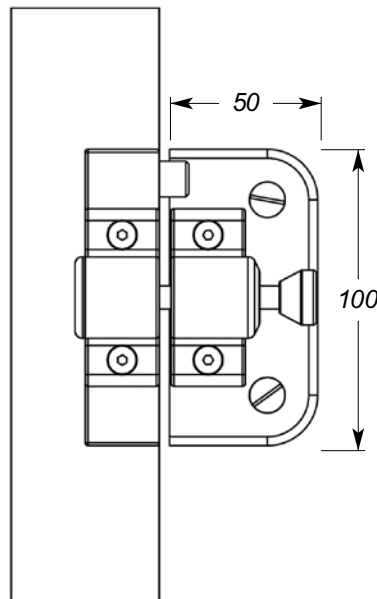
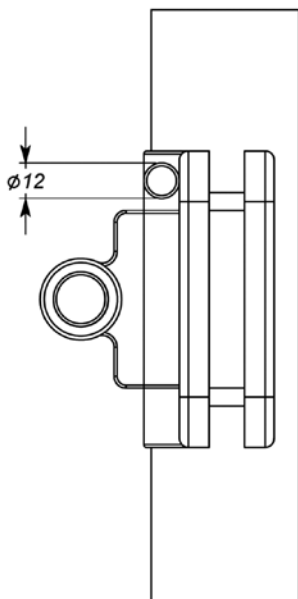
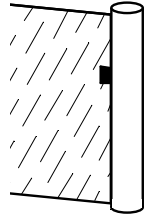
Note: Latch and stops can be custom made to any specification. Please contact Sales Support for further assistance

Available Finishes

- 316 satin stainless steel
- 316 polished stainless steel
- Other finishes are available to order

Specify at time of order

- Required finish
- 8, 10, 12 or 15mm glass
- Order PL1 RP SL for Stainless Steel Thumb Pull
- Order PL1 RP LOCK for Lockable Option



Also available



All PL latches available with stainless steel magnetic thumb pull device.

PL2

Glass To Glass Pool Gate Latch & Keeper

Technical Details

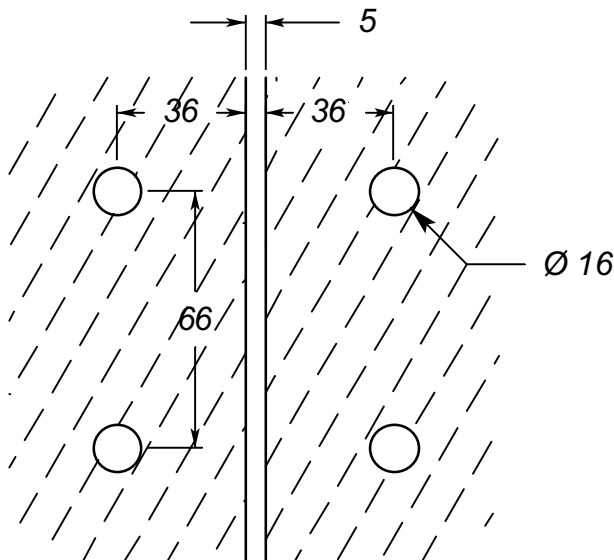
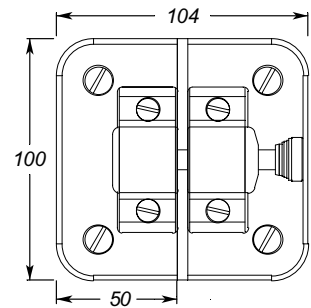
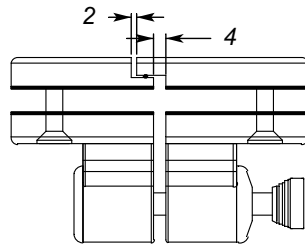
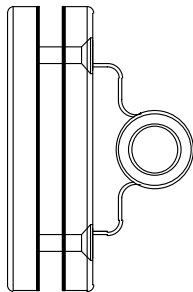
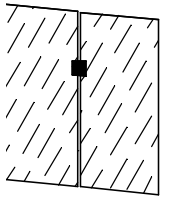
- Used on pool gates in 180 degree glass to glass configurations.
- Designed for 12mm glass
- Can be adapted to suit 8, 10 & 15mm glass
- Lockable option available
- Refer to AS 1926.1-2007 for correct placement on gate.

Available Finishes

- 316 satin stainless steel
- 316 polished stainless steel
- Other finishes are available to order

Specify at time of order

- Required finish
- 8, 10, 12 or 15mm glass
- Order PL2 SL for Stainless Steel Latch
- Order PL2 LOCK for Lockable Option



Also available



All PL latches available with stainless steel magnetic thumb pull device.

PL2-90

Glass To Glass 90 degree Pool Gate Latch & Keeper

Technical Details

- Used on pool gates where the gate closes to a glass panel at 90°
- Designed for 12mm glass
- Can be adapted to suit 8, 10 & 15mm glass
- Lockable option available
- Refer to AS 1926.1 - 2007 for correct placement on gate

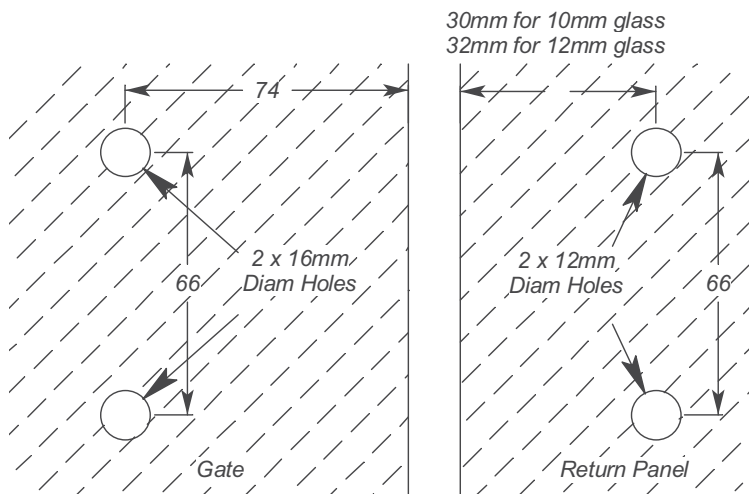
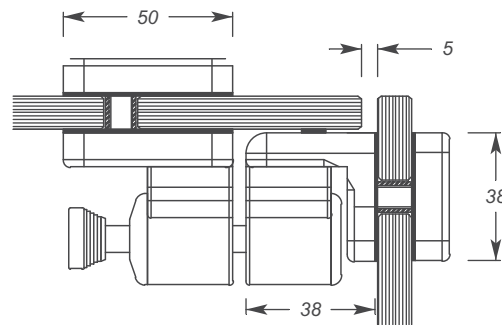
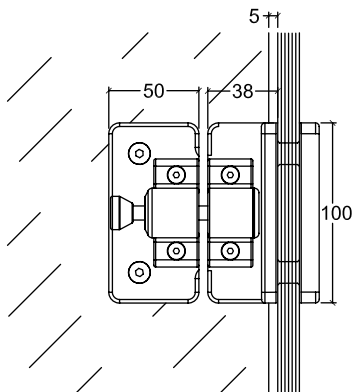
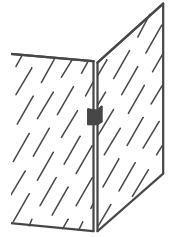
Note: Latch and stops can be custom made to any specification. Please contact Sales Support for further assistance

Available Finishes

- 316 satin stainless steel
- 316 polished stainless steel
- Other finishes are available to order

Specify at time of order

- Required finish
- 8, 10, 12 or 15mm glass
- Order PL2-90 SL for Stainless Steel Thumb Pull
- Order PL2-90 LOCK for Lockable Option



Also available



All PL latches available with stainless steel magnetic thumb pull device.

PL2-90R

Glass To Glass 90 degree Pool Gate Latch & Keeper

Technical Details

- Used on pool gates where the gate closes to a glass panel at 90°.
- Designed for 12mm glass
- Can be adapted to suit 8,10 & 15mm glass
- Lockable option available
- Refer to AS 1926.1 - 2007 for correct placement on gate.

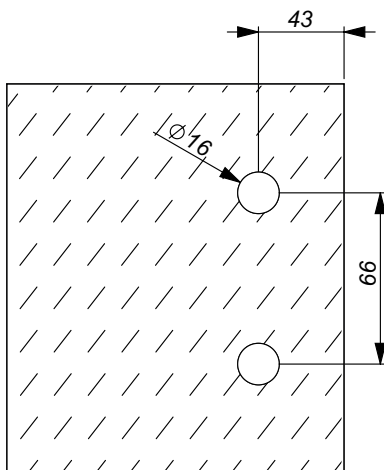
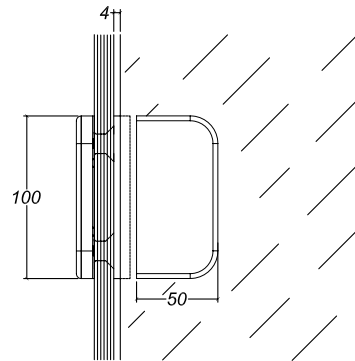
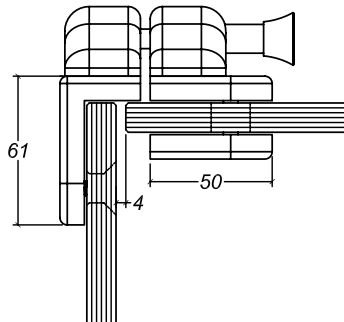
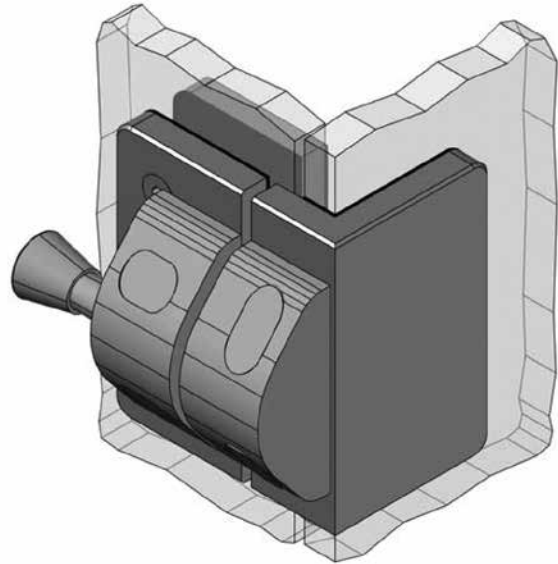
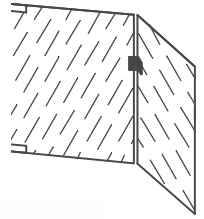
Note: Latch and stops can be custom made to any specification. Please contact Sales Support for further assistance

Available Finishes

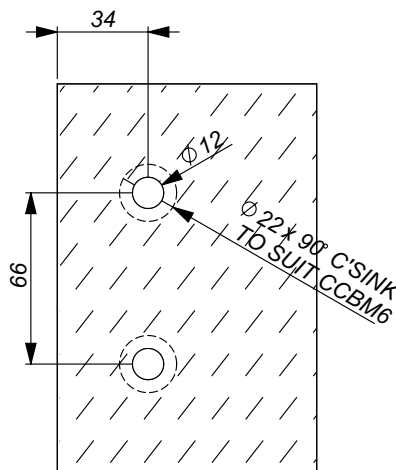
- 316 satin stainless steel
- 316 polished stainless steel
- Other finishes are available to order

Specify at time of order

- Required finish
- 8,10, 12 or 15mm glass
- Order PL2-90R SL for Stainless Steel Thumb Pull
- Order PL2-90R LOCK for Lockable Option



GLASS GATE



GLASS FIXED PANEL

Also available



All PL latches available with stainless steel magnetic thumb pull device.

FPF5

Wall To Glass Pivot

Technical Details

- For walls and posts 60mm and wider
- Used on pool gates in conjunction with CAS42400 top patch fitting to allow the gate to pivot from a wall or post.

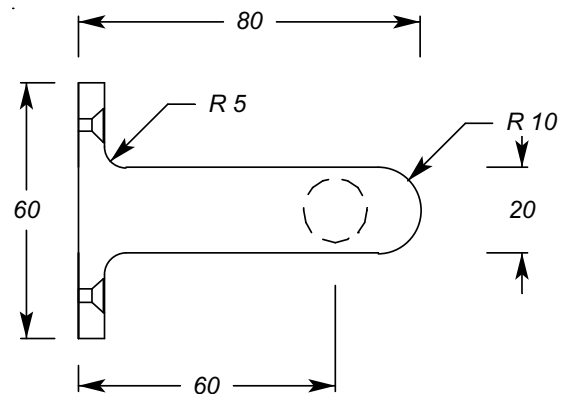
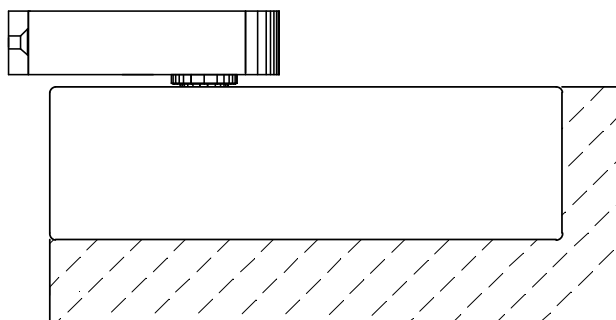
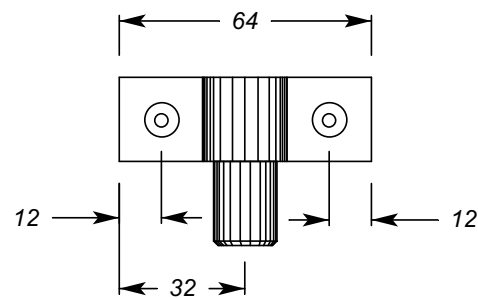
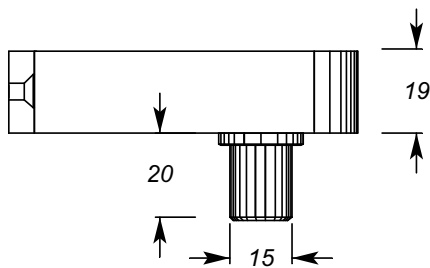
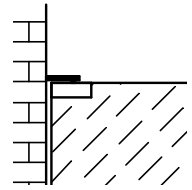
Note: Pivot can be custom made to any specification. Please contact Sales Support for further assistance

Available Finishes

- 316 satin stainless steel
- 316 polished stainless steel
- Other finishes available to order

Specify at time of order

- Required finish



FPF5-VF

90 degree Glass To Wall Pivot

Technical Details

- For walls or smaller posts 30mm and wider
- Used on pool gates in conjunction with CAS42400 top patch fitting to allow the gate to pivot from a wall or post.

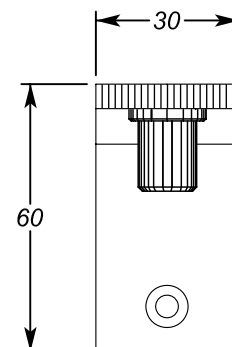
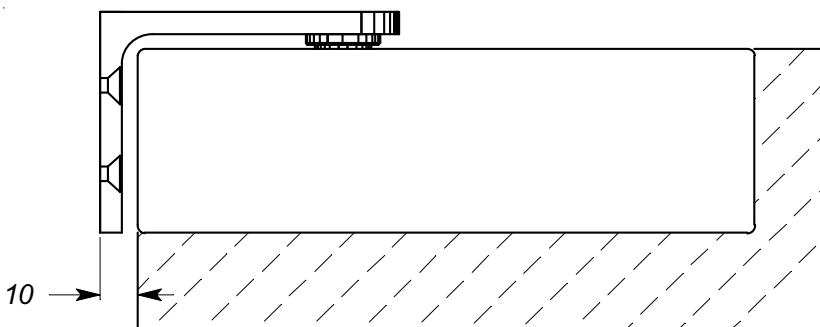
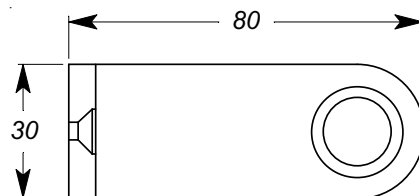
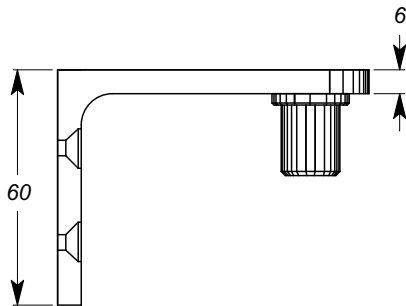
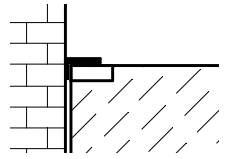
Note: Pivot can be custom made to any specification. Please contact Sales Support for further assistance

Available Finishes

- 316 satin stainless steel
- 316 polished stainless steel
- Other finishes available to order

Specify at time of order

- Required finish



FPF5-PF

Glass To Wall Pivot To Suit 50mm Diameter Post

Technical Details

- For 50mm diameter posts
- Used on pool gates in conjunction with CAS42400 top patch fitting to allow the gate to pivot from 50mm diameter post.

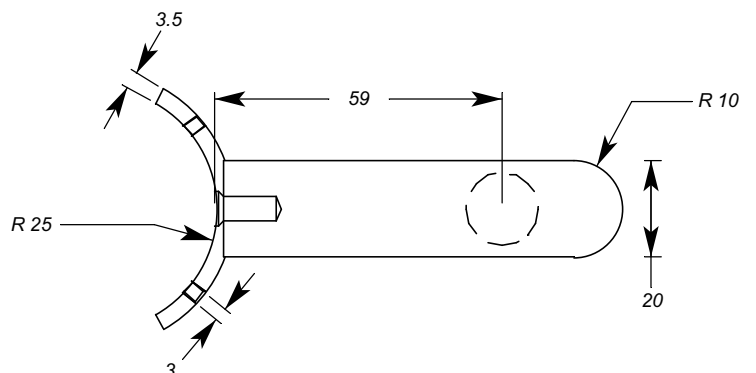
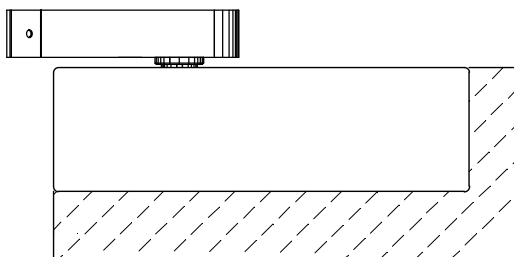
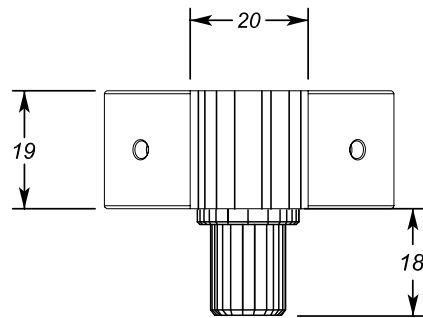
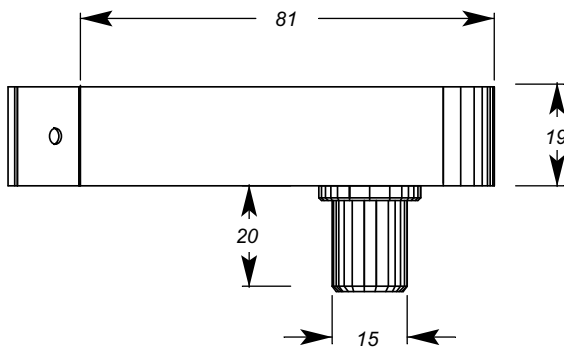
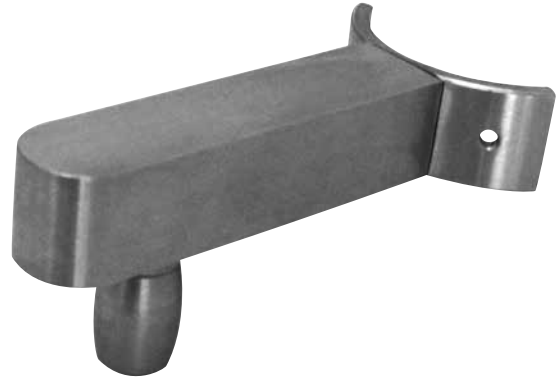
Note: Pivot can be custom made to any specification. Please contact Sales Support for further assistance

Available Finishes

- 316 satin stainless steel
- 316 polished stainless steel
- Other finishes available to order

Specify at time of order

- Required finish



FPF6

Glass to Glass Pivot

Technical Details

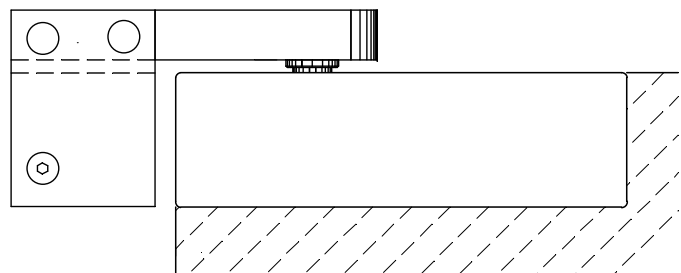
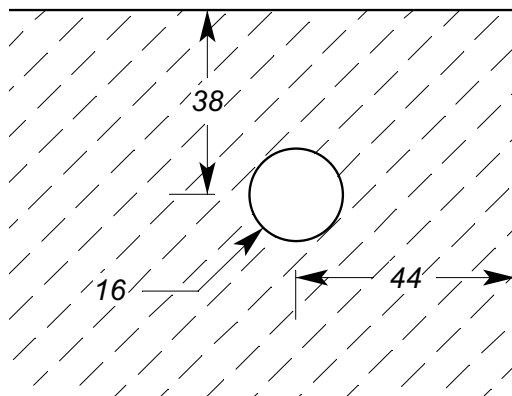
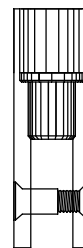
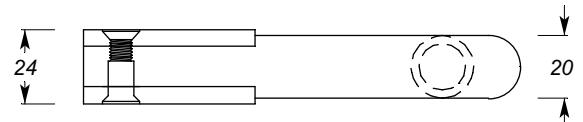
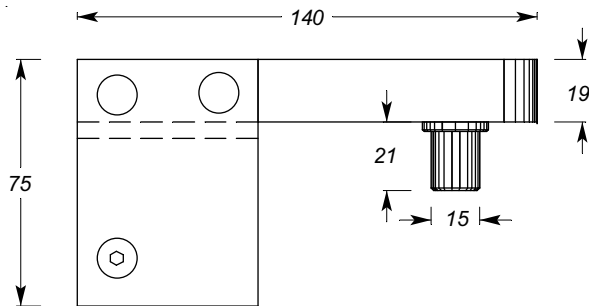
- Used on pool gates in conjunction with CAS42400 top patch fitting to allow the gate to pivot from another glass panel.
- Designed for 12mm glass
- Can be adapted to suit 10 & 15mm glass

Available Finishes

- 316 satin stainless steel
- 316 polished stainless steel
- Other finishes available to order

Specify at time of order

- Required finish
- 10, 12 or 15mm glass



FPF7

Slimline Glass to Glass Pivot

Technical Details

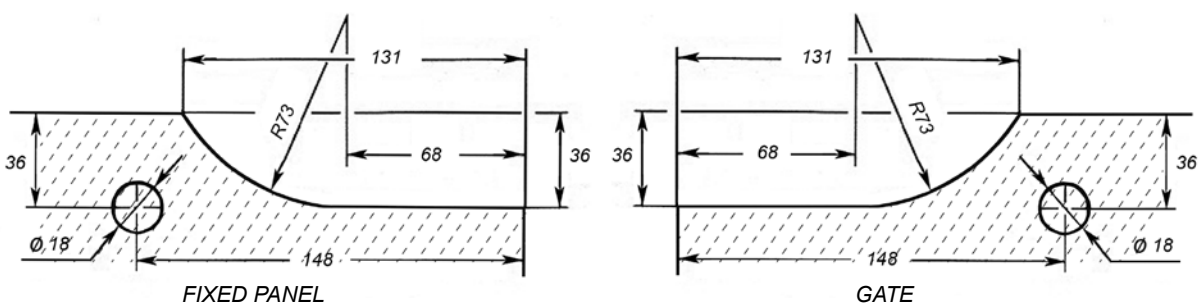
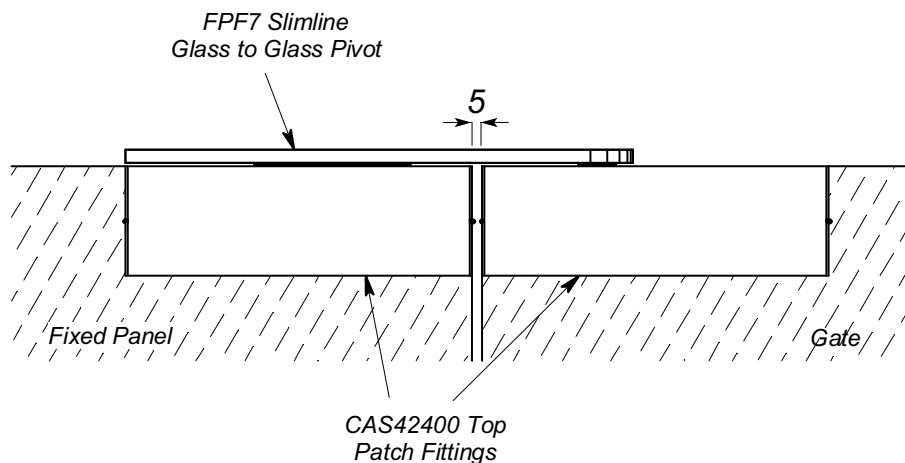
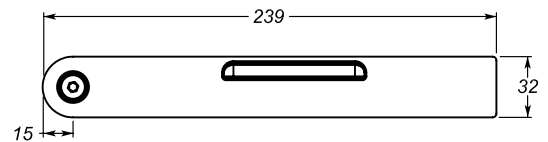
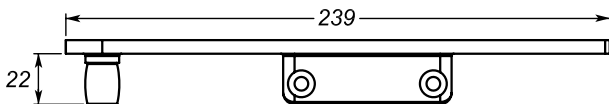
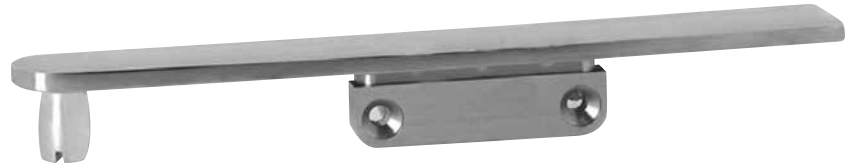
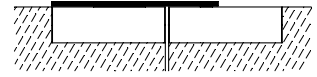
- Used on pool gates in conjunction with CAS42400 top patch fittings to allow the gate to pivot from another glass panel
- Fixing screws provided with CAS42400 patch

Available Finishes

- 316 satin stainless steel
- 316 polished stainless steel
- Other finishes available upon request

Specify at time of order

- Required finish



FPF7-90

(A or B)

90 degree Slimline
Glass to Glass Pivot

Technical Details

- Used on pool gates in conjunction with CAS42400 top patch fittings to allow the gate to pivot from another glass panel
- Types A and B available to suit opposite configurations. Please ensure type A or B is specified when ordering. See below for detail

Available Finishes

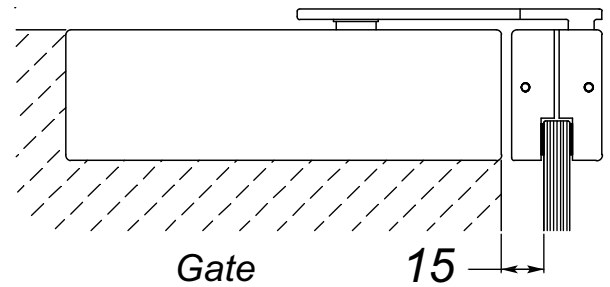
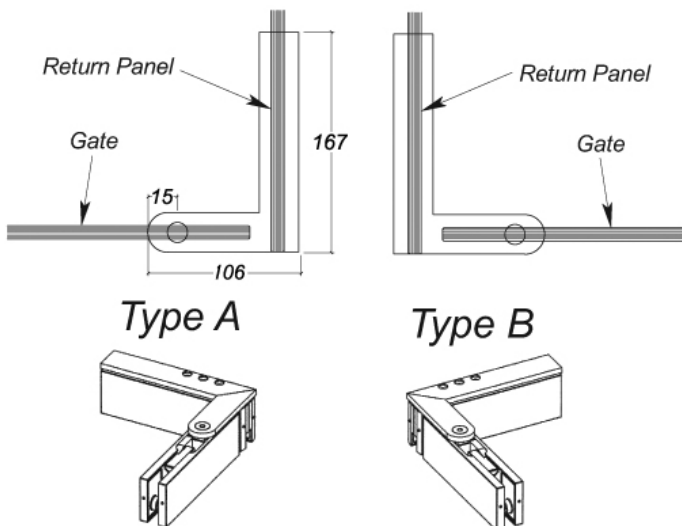
- 316 satin stainless steel
- 316 polished stainless steel
- Other finishes available upon request

Specify at time of order

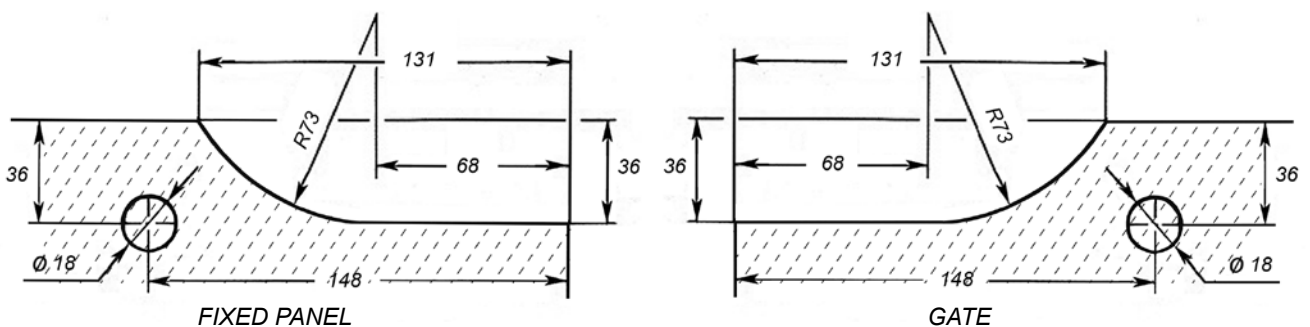
- Required finish
- Type A or B



FPF7-90A



15mm Gap required between gate & return panel



FPLP

Pool Link Patch

Technical Details

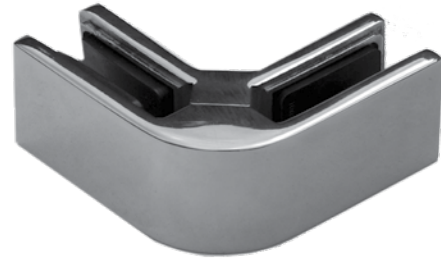
- Used for glass panels where extra rigidity and support is required
- Easily installed with allen key fixings
- Can be installed during initial construction or retro fitted post construction
- Supplied with gaskets suitable for 12mm, 10mm & 8mm glass.
- Adaptable for 15mm glass with the use of longer allen key screws
- Available as 180 degree or 90 degree

Available Finishes

- 316 Grade Satin Stainless Steel (SSS)
- 316 Grade Polished Stainless Steel (PSS)

Specify at time of order

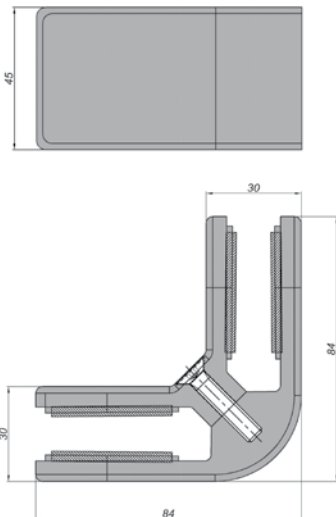
- Configuration
180 degree - FPLP 180
90 degree - FPLP 90
- Finish



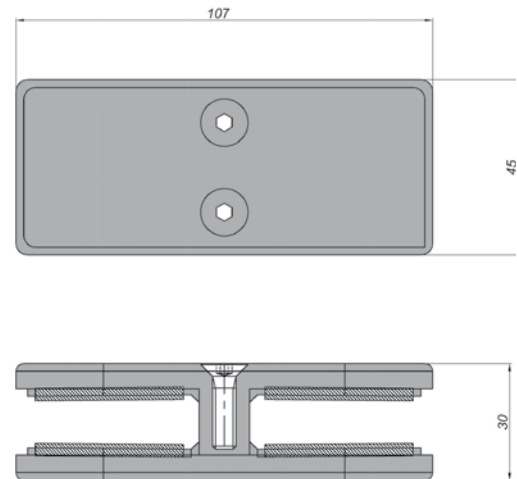
FPLP 90



FPLP 180



Minimum distance from corner to edge - 25mm (12mm glass)



Minimum distance required between panels - 18mm

